

Rebox[®] - Bend out rebar systems

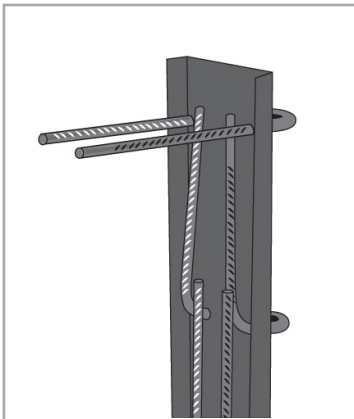
Application: Galvanised steel metal rebate system for wall to wall and wall to floor connection in reinforced concrete structures. Inside the 1 m long Rebox unit are 500 grade tempcore reinforcement bars neatly packed for deployment. Regular sizes to fit majority of reinforcement requirements however can be manufactured to suit specific needs.

STANDARD REBOX SIZES (ANY CHANGES FROM THESE DIMENSIONS IS A CUSTOM BOX)

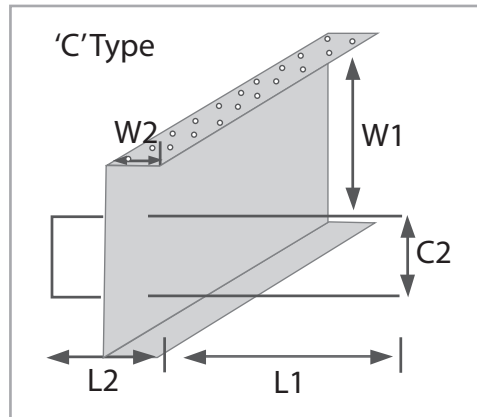
Box Type	Bar Size	Bar Centres	Slab	Wall	Box Width (W1)	Box Length	Box Depth (W2)	Hole Width (C2)	Bar Depth (L2)	Pullout Length (L1)	Trade Price
RBXCN12200C130W	N12	200	150-175	150	130	1000	35	115	110	415	\$43.18**+
RBXCN12200C150W	N12	200	175-200	200	150	1000	35	135	145	415	\$45.67**+
RBXCN16200C130W	N16	200	150-175	150	130	1000	40	115	105	560	\$61.87**+
RBXCN16200C150W	N16	200	175-200	200	150	1000	40	135	140	560	\$65.16**+

* Price effective 1st September 2010

+ Resellers and Distributors contact us directly for new pricing



Rebox 'C' Type



Dimensions Diagram



Product in situ